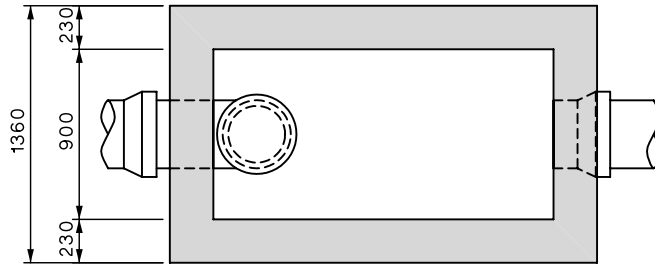
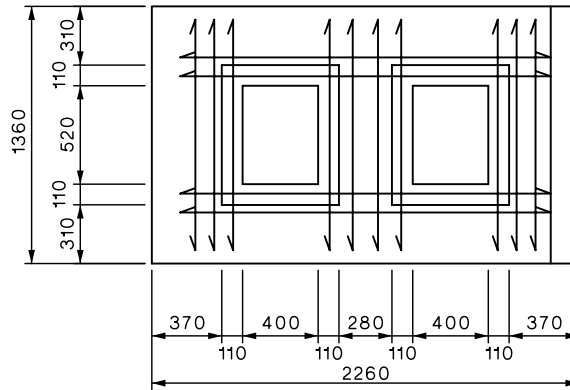


SECTION



PLAN



TOP SLAB

NOTES:

1. For use in sealed yard areas only.
2. To be used on pipelines maximum 300φ or where directed by the Engineer.
3. Access to oiltrap is to be by short removable ladder.
4. See plan SD341 for pipelaying either side of oil trap.
5. Major spillage control area traps to be referred to Council's tradewaste advisors.